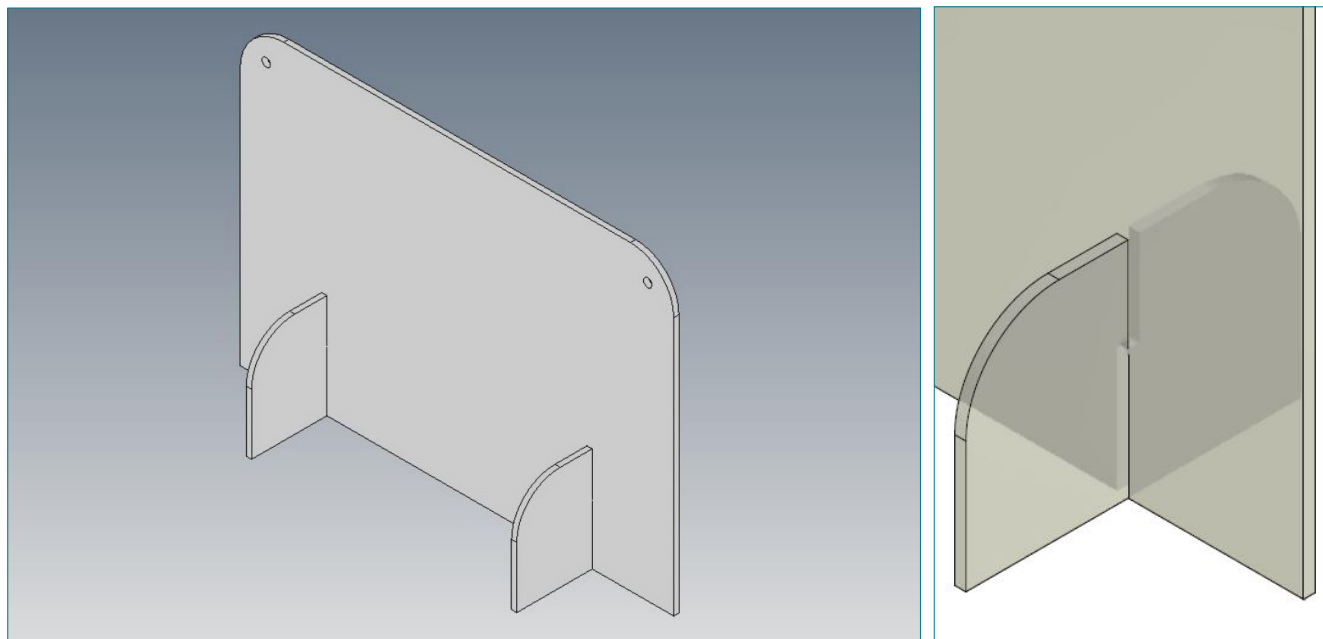


Transparent Protective Screen Art. No. SC27009



PRODUCT DESCRIPTION

The protective screen protects the user and their environment from droplet infections that can be transmitted by speaking, coughing and sneezing. Thanks to its two feet, the screen is stable on flat surfaces like counters or tables.

PRODUCT FEATURES

- Dimensions width 500 mm x height 348 mm
- Self-supporting due to the foot geometry
- Can be disinfected with normal disinfectants
- Shatterproof material
- Suitable for indoor use
- The transparent material is not tinted
- The screen can be set up easily and quickly with its plug-in feet.
- Holes available for hanging up
- Please note: The surface is not scratch-resistant

SPECIFICATION

Component type:	Protective screen, transparent, self-supporting
Material:	Polycarbonate, 6 mm thick
Dimensions:	width 500 mm x height 348 mm
Weight:	approx. 1,3 kg

CLEANING

Clean with a lint-free cloth, water and 70% isopropyl alcohol.

To clean, wipe both sides of the protective screen with a damp lint-free cloth and then disinfect with at least 70% isopropyl alcohol.

Please note: Do not use scratching cloths or sponges for cleaning.

Art. No.	Product description	Packaging unit
SC27009	Protective Screen L	

No liability is assumed for information on this data sheet. GETT® reserves the right to modify the document at any time.

GETT Gerätetechnik GmbH

Mittlerer Ring 1 | 08233 Treuen | Germany
 Tel: +49 37468 660-0
 Fax: +49 37468 660-66
 E-Mail: info@gett.de
 Internet: www.gett.de

Gett North America LLC

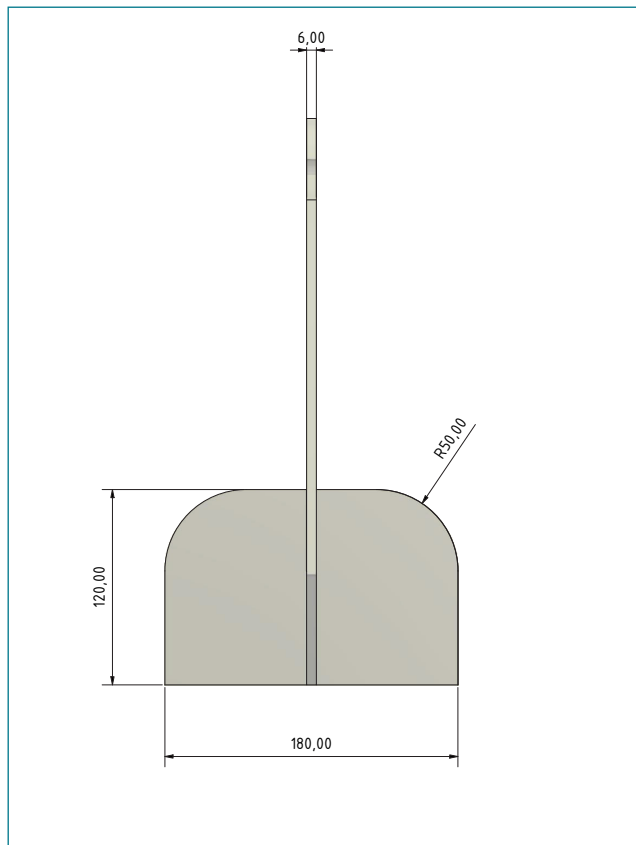
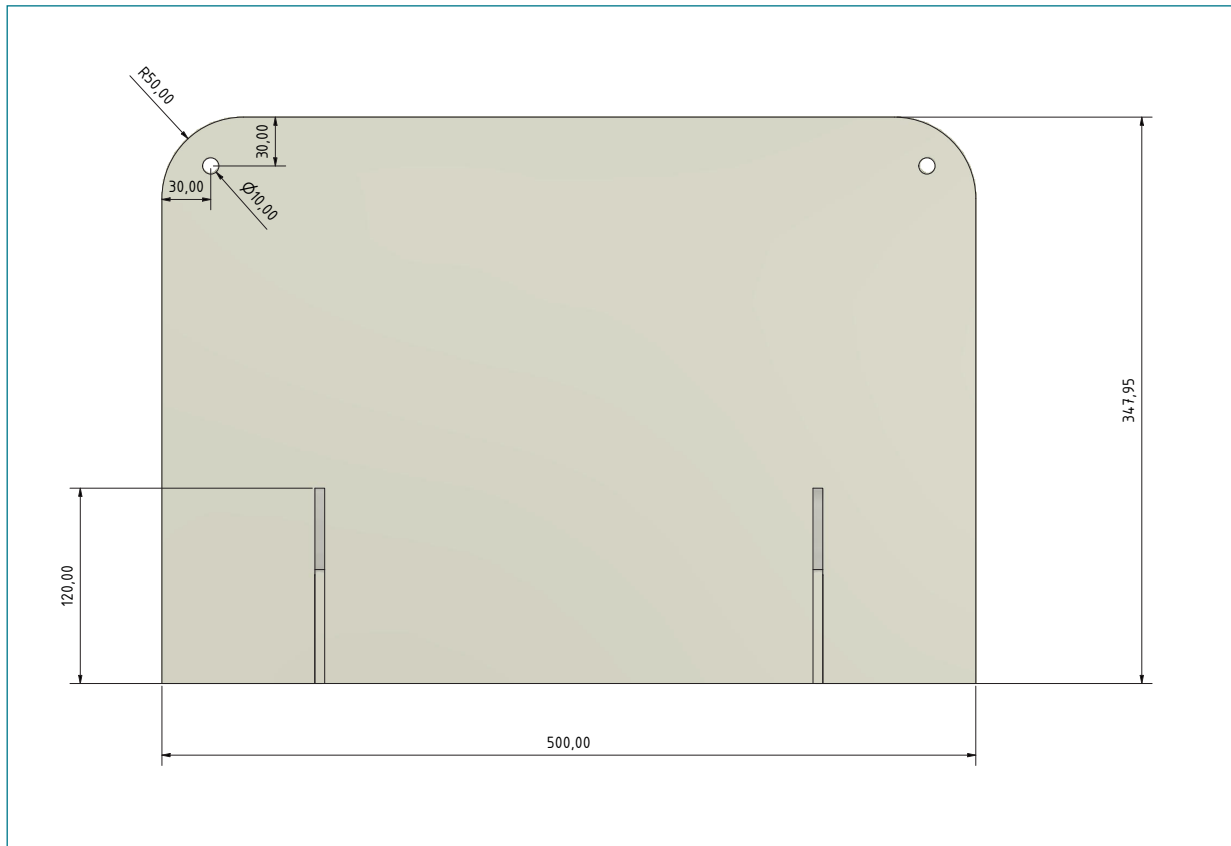
E-Mail: info@gett-na.com
 Internet: www.gett-na.com

Gett Asia Ltd.

E-Mail: info@gett-asia.com
 Internet: www.gett-asia.com

gett-group.com
washable-keyboards.com

TECHNICAL DRAWING



No liability is assumed for information on this data sheet. GETT® reserves the right to modify the document at any time.