

TKH-MOUSE-SCROLL-IP68-WHITE-LASER
INDUMOUSE



PRODUCT FEATURES

- Medical grade mouse with plastic bottom plate and laser sensor
- Ergonomic shape with two mousebuttons and three-button scroll function
- Due to the symmetric shape it's suitable for right-hand and also left-hand operation
- Comfortable touch and operation
- Completely water and dust proof
- An USB protection cap protects the USB connector during cleaning against splash water
- Easy to clean and to disinfect
- Resolution adjustable in four levels from 400 to 1600 cpi

SPECIFICATION

Number keys:	5	Interface:	USB
Housing:	silicone	USB compatibility:	compatible with USB 2.0
Bottom panel:	plastic	Cable length:	approx. 2 m
Colour:	white	Operating temperature:	-25 °C to +70 °C
Keyswitch technology:	short travel keys	Storage temperature:	-25 °C to +80 °C
Operating principle:	laser	Dimensions:	116 x 62 x 38.6 mm
Resolution:	400, 800, 1200 oder 1600 cpi (adjustable)	Weight:	160 g
Scrollfunction:	3 scrollbuttons	Certifications:	CE, RohS, REACH, EMC
Protection level (max):	IP68	Warranty:	4 years on the electrical function

<u>Art.No.</u>	<u>Product description</u>
KH20225	TKH-MOUSE-SCROLL-IP68-WHITE-LASER-USB

Other configurations and interfaces on request.

Subject to modifications and errors

GETT Gerätetechnik GmbH

Mittlerer Ring 1 | 08233 Treuen | Germany
Tel: +49 37468 660-0
Fax: +49 37468 660-66
E-Mail: info@gett.de
Internet: www.gett.de

Gett North America LLC

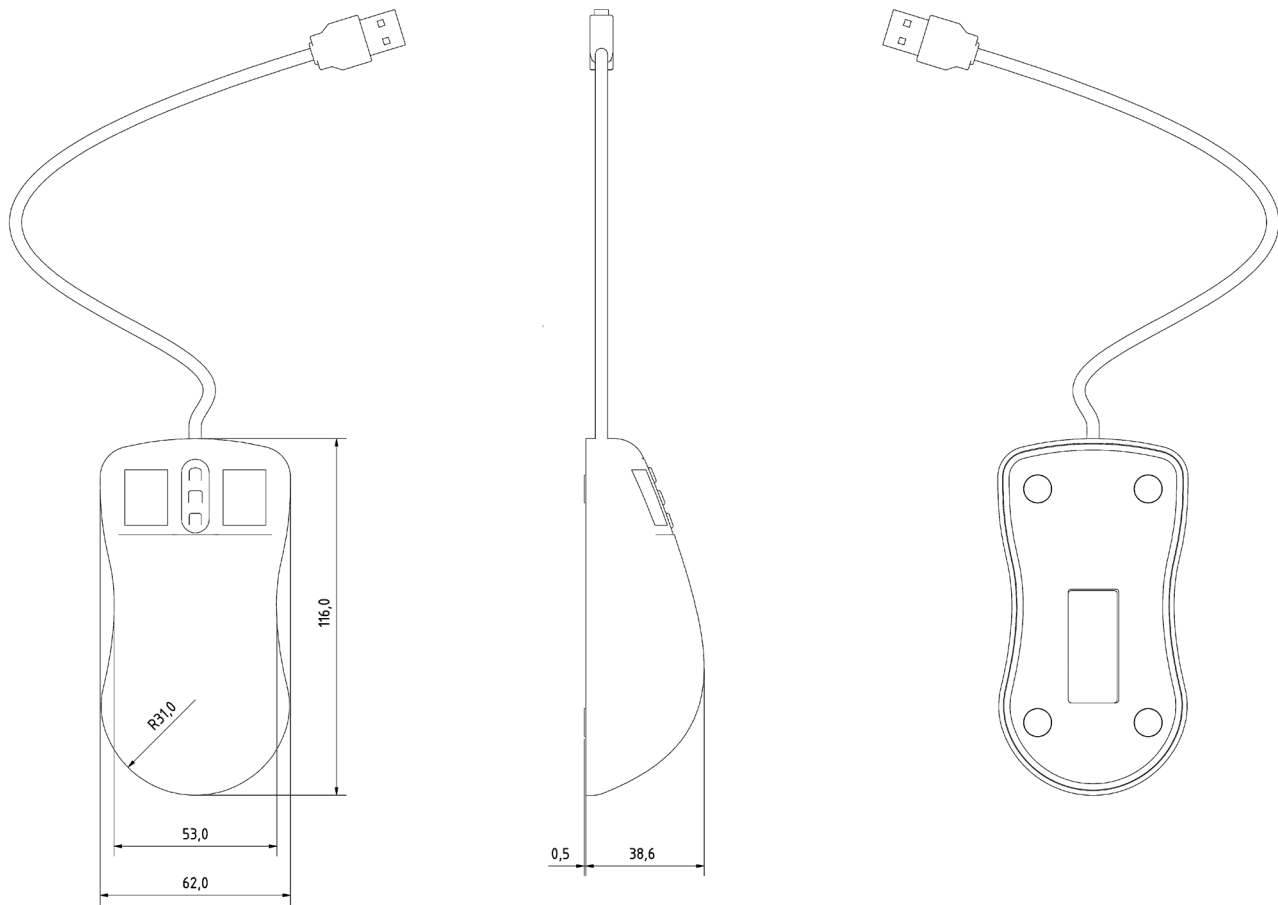
E-Mail: info@gett-na.com
Internet: www.gett-na.com

Gett Asia Ltd.

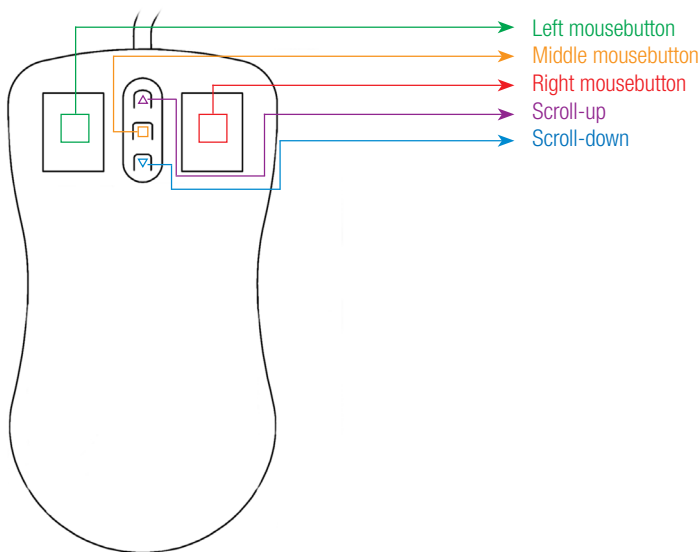
E-Mail: info@gett-asia.com
Internet: www.gett-asia.com

gett-group.com
washable-keyboards.com

TECHNICAL DRAWING



Mouse functions when using standard Windows® drivers



Resolution adjustment:

Resolution is adjustable in 4 levels: 400, 800, 1200 and 1600 cpi.
 Keep left and right mousebutton pressed at once and adjust the resolution with the scrollbuttons:
 * Scroll-up button: higher resolution
 * Scroll-down button: lower resolution

Subject to modifications and errors